

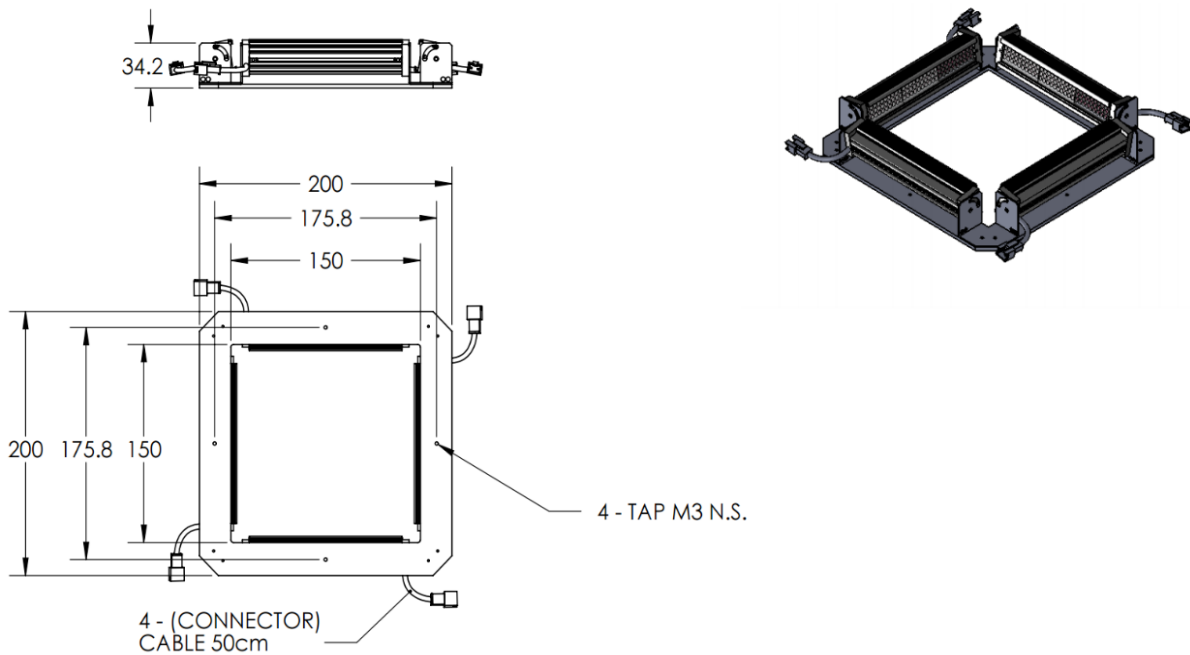


OPTO ENGINEERING

# ILLUMINATOR DATA

## LTZPFE120-00-3-W-24V

### Lighting Dimension



### Mechanical Information

Casing Material	Aluminium
Storage Temperature Range	0 - 45°C
Storage Humidity Range	20 - 85%
Weight	595g
Length / Outer Diameter	200mm
Width / Inner Diameter	150mm
Thickness / Height	34.2mm



OPTO ENGINEERING

# ILLUMINATOR DATA

## LTZPFE120-00-3-W-24V

Lighting Information																							
Part Number	LTZPFE120-00-3-W-24V																						
LED Color	WHITE																						
Wavelength	REFER TO CHROMACITY TABLE																						
Working Distance	223 mm	236 mm	247 mm																				
Intensity (±15%)	4880 lx	4760 lx	4630 lx																				
Illumination (number of row)	3																						
Illumination Active Area	Active Length / Outer Dia.	200 mm																					
	Active Width / Inner Dia.	150 mm																					
Emission angle	0																						
Eye Safety Class ( IEC62471 )	EXEMPT																						
Chromaticity Table For White colour only	<table border="1"><tr><td>X</td><td>0.296</td><td>0.287</td><td>0.307</td><td>0.311</td></tr><tr><td>Y</td><td>0.276</td><td>0.295</td><td>0.315</td><td>0.294</td></tr></table>	X	0.296	0.287	0.307	0.311	Y	0.276	0.295	0.315	0.294	<table border="1"><tr><td>X</td><td>0.311</td><td>0.307</td><td>0.33</td><td>0.33</td></tr><tr><td>Y</td><td>0.294</td><td>0.315</td><td>0.339</td><td>0.318</td></tr></table>	X	0.311	0.307	0.33	0.33	Y	0.294	0.315	0.339	0.318	
X	0.296	0.287	0.307	0.311																			
Y	0.276	0.295	0.315	0.294																			
X	0.311	0.307	0.33	0.33																			
Y	0.294	0.315	0.339	0.318																			

Electrical Information	
Rated Constant Voltage	24V±2%
Rated Constant Current	504mA
Power Consumption	12.1W
Casing temperature, After 60 minutes operation	39°C

Strobe Mode Specification	
*Normal Strobe Voltage	24 V
*Normal Strobe Current	504 mA
Overdrive Voltage Range	Min: 36V      Max: 48V
Overdrive Current Range	Min: 0.98 A      Max: 1.56 A
Recommended Overdrive Voltage	36V
**Max. Trigger Pulse Duration	10 msec
**Max. Duty Cycle	10%

\*Normal strobe means the lighting is operated using the rated power. Overdrive means the power supplied to the lighting exceeded the rated power.

\*\*Overdrive condition must not exceed the max. trigger pulse duration and max. duty cycle.

# ILLUMINATOR DATA

## LTZPFE120-00-3-W-24V

Connection Information			
Connector Type (Default)	JST SMR-03V		
Cable Length	50 cm		
Pin Configuration  	Pin	Signal	Cable Colour
	1	LED +	Red
	2	N.C	-
	3	LED -	White
			

Additional Information	
Additional Cooling Method	Attached to machine part for better heat dissipation
Intensity Controller Selection	SD, ST, ANG, LC, SDA, SDP series
CE Conformity	YES
RoHS Compliance	YES

Application	
Illumination Type	Direct Illumination
Application Use	Label Inspection, Character Inspection, Code Recognition



OPTO ENGINEERING

# ILLUMINATOR DATA

## LTZPFE120-00-3-W-24V

Lighting Pattern				
Working Distance	For further details please contact us.			
Display and Image				
Data Results	Horizontal	Meas.(mm)	Vertical	Meas.(mm)
	90%		90%	
	80%		80%	
	70%		70%	
	60%		60%	
	50%		50%	
	40%		40%	
	30%		30%	
	20%		20%	
	10%		10%	